

# Standard Features:

- 50,000 ft/lbs rating
- 8600 lbs lift @ 5.8 ft
- 21 ft of hydraulic reach
- 70 ft/min unloaded line speed
- Auto II Speed load sensing
- Proportional Control
- Wireless Remote & Tether
- Integrated Filtration
- Powder Coated Components

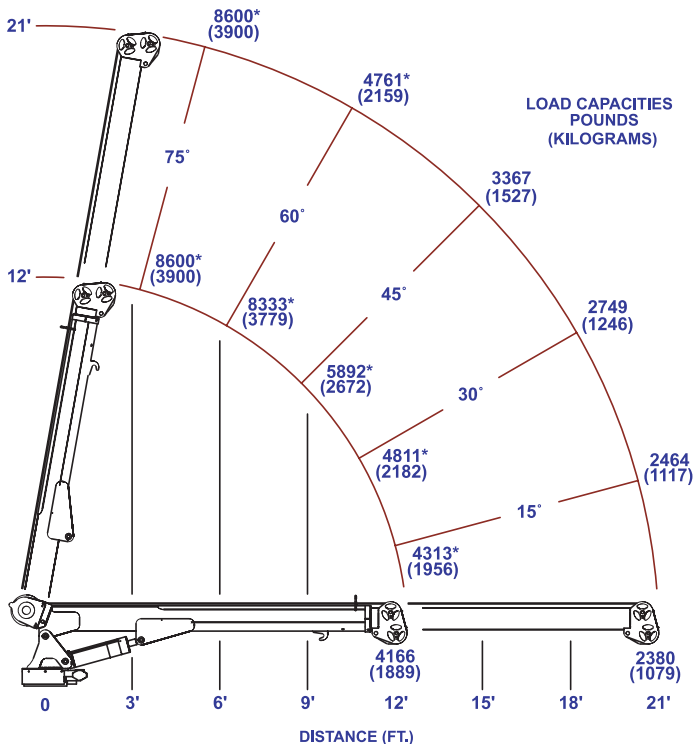
# Hydraulic



8  
0  
5  
1



## MODEL 8051



\* MAXIMUM SINGLE LINE CAPACITY IS 4300 LBS (1950kg) IN THESE OPERATING POSITIONS

## TIGER Model 8051 Specifications

<b>Crane Rating:</b>	50,000 ft/lbs
<b>Maximum Reach:</b>	21 ft from CL
<b>Extension:</b>	Single hyd from 12 to 21 ft
<b>Maximum Height:</b>	22.5 ft from base of crane
<b>Maximum Lift:</b>	4300 lbs single part line 8600 lbs double part line
<b>Boom Elevation:</b>	-5 to +75 degrees
<b>Cable:</b>	3/8 x 120 ft DGAC 6x36 IWRC
<b>Winch Type:</b>	Hyd planetary with axial piston motor
<b>Winch Speed:</b>	70 ft/min*
<b>Rotation:</b>	400 degrees with double reduction (worm & pinion)
<b>Control:</b>	Wireless proportional with 33 ft Tether cord
<b>Stowed Height:</b>	36"
<b>Weight:</b>	1750 lbs (crane only)
<b>Mounting Space:</b>	22" x 22"
<b>Valves:</b>	12 VDC D03 12 GPM
<b>Filter:</b>	9 Micron Absolute
<b>Pump Req'd:</b>	8 GPM @ 2700 PSI
<b>Min Chassis GVW Req'd:</b>	19,000 lbs

\*Speed represented is with recommended pump and an unloaded single line.