

Standard Features:

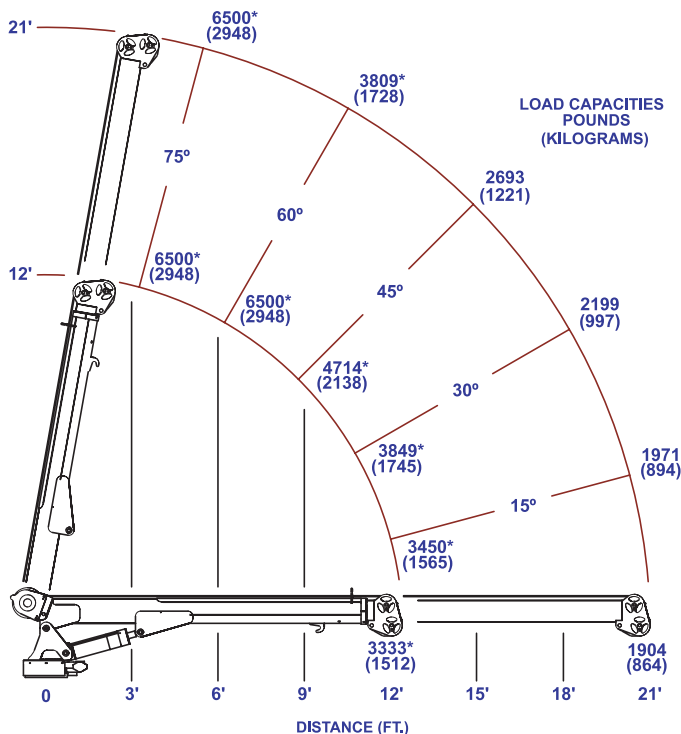
- 40,000 ft/lbs rating
- 6500 lbs lift @ 6.2 ft
- 21 ft of hydraulic reach
- Hex boom Construction
- Planetary Winch
- Worm Drive Rotation
- Crane Operation Light Bar
- Powder Coated Components

Electric

6541E



MODEL 6541E



* MAXIMUM SINGLE LINE CAPACITY IS 3250 LBS (1474kg) IN THESE OPERATING POSITIONS

TIGER Mode 6541E Specifications

Crane Rating:	40,000 ft/lbs
Maximum Reach:	21 ft from CL
Extension:	Single hyd from 12 to 21 ft
Maximum Height:	22.5 ft from base of crane
Maximum Lift:	3250 lbs single part line 6500 lbs double part line
Boom Elevation:	-5 to +75 degrees
Cable:	3/8" x 120' Galvanized
Winch Type:	Electric Planetary – 6541E
Winch Speed:	36 ft/min Electric – 6541E
Rotation:	400 degrees with double reduction (worm & pinion)
Control:	Wireless proportional with 33 ft 25' Tethered Cord Remote – 6541E
Stowed Height:	36"
Weight:	1535 lbs 6541E (crane only)
Mounting Space:	22" x 30"
Battery Req'd:	12 VDC Cartridge - 6541E 700 Cold Crank Amps – 6541E
	With 200 Minute Reserve Minimum Requirement
Min GVW Req'd:	14,500 lbs

*Speeds represented are with recommended pump and at normal speed.