

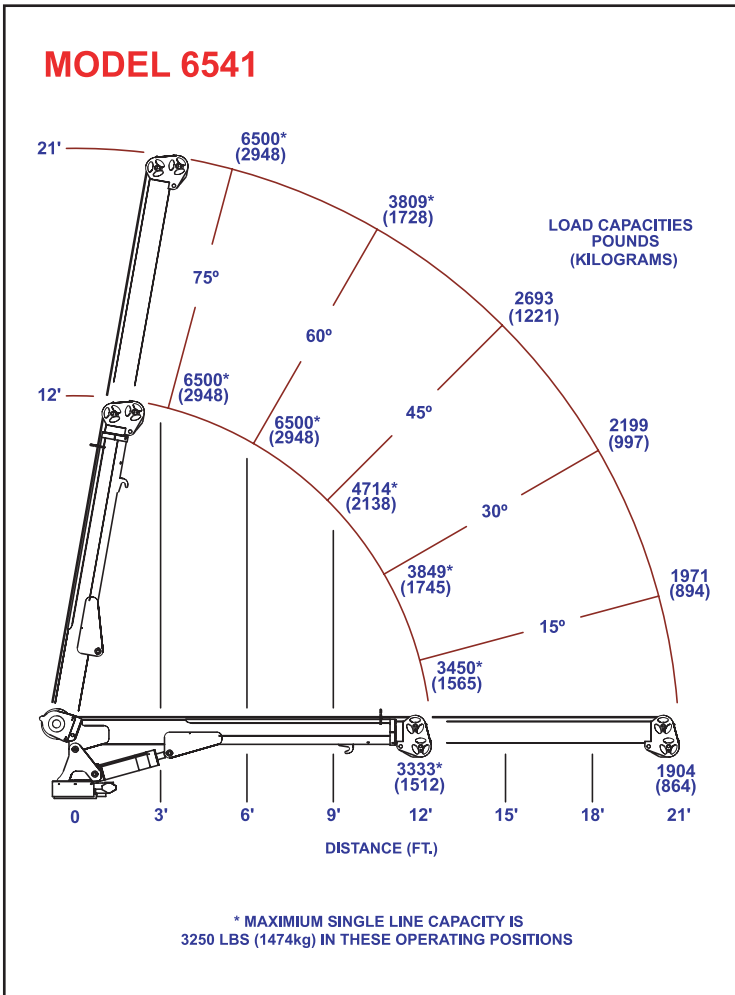
# Standard Features:

- 40,000 ft/lbs rating
- 6500 lbs lift @ 6.2 ft
- 21 ft of hydraulic reach
- Hex boom Construction
- Planetary Winch
- Worm Drive Rotation
- Crane Operation Light Bar
- Powder Coated Components

# Hydraulic



6  
5  
4  
1



## TIGER Model 6541 Specifications

<b>Crane Rating:</b>	40,000 ft/lbs
<b>Maximum Reach:</b>	21 ft from CL
<b>Extension:</b>	Single hyd from 12 to 21 ft
<b>Maximum Height:</b>	22.5 ft from base of crane
<b>Maximum Lift:</b>	3250 lbs single part line 6500 lbs double part line
<b>Boom Elevation:</b>	-5 to +75 degrees
<b>Cable:</b>	3/8" x 120' Galvanized
<b>Winch Type:</b>	Hydraulic Planetary - 6541
<b>Winch Speed:</b>	70 ft/min* Hydraulic - 6541
<b>Rotation:</b>	400 degrees with double reduction (worm & pinion)
<b>Control:</b>	Wireless proportional with 33 ft Tether cord - 6541
<b>Stowed Height:</b>	36"
<b>Weight:</b>	1565 lbs 6541 (crane only)
<b>Mounting Space:</b>	22" x 30"
<b>Valves:</b>	12 VDC D03 12 GPM - 6541
<b>Filter:</b>	9 Micron Absolute - 6541
<b>Pump Req'd:</b>	8 GPM @ 2700 PSI - 6541
<b>Min GVW Req'd:</b>	14,500 lbs

\*Speeds represented are with recommended pump and at normal speed.