

TIGER

CRANES

3215E



3 2 1 5 E

The Tiger Crane 3215E

brings a whole new level of safety and performance to the small crane market. The 3215E features a **full hydraulic extension** from 9 feet to 15 feet with no manual jib. The **enhanced design** of the 3215E has **reduced the weight** of the crane to 745 pounds. **Powder coated main boom, jib and components** offer increased durability and extended life. An **improved worm gear power rotation with one piece cast housing** provides 400 degrees of rotation. **Overload Protection** is now standard and includes technology that prevents loads from being “bounced” past safe lifting limits. The unit is powered by an **integrated 12 V DC power system and cartridge valves**.

Standard Features:

- 11,000 ft/lbs rating
- 15 feet of reach
- 3200 lbs of lift
- Powder Coated Components
- Hydraulic Jib
- Overload Protection

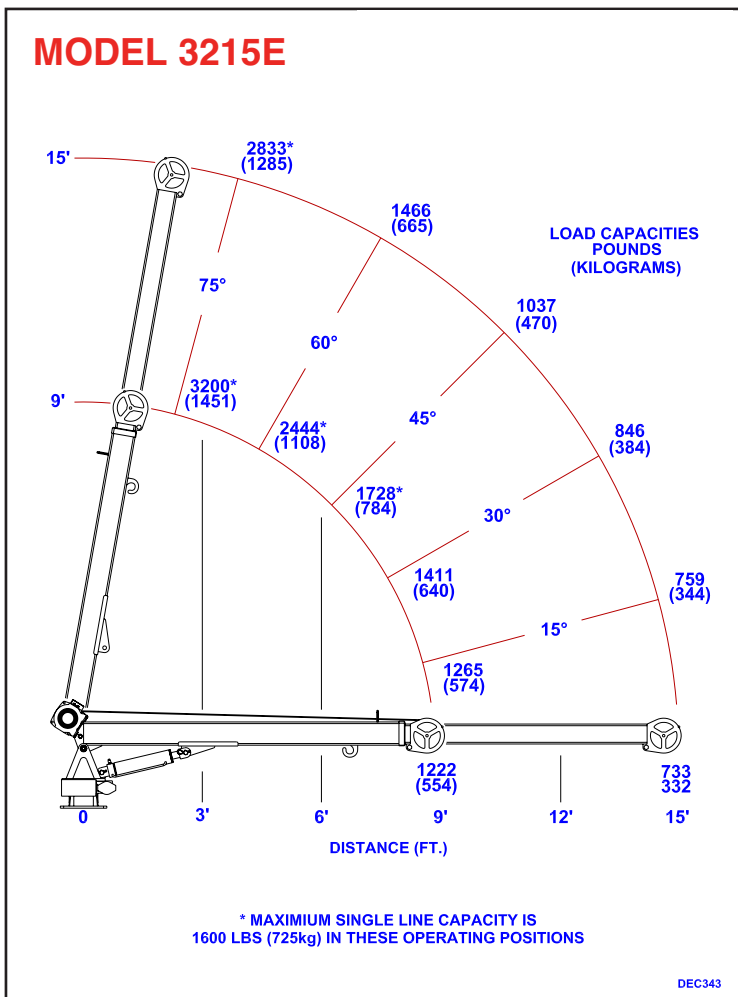


INTERNATIONAL
BOUR CENTER, IOWA
1-800-225-8789

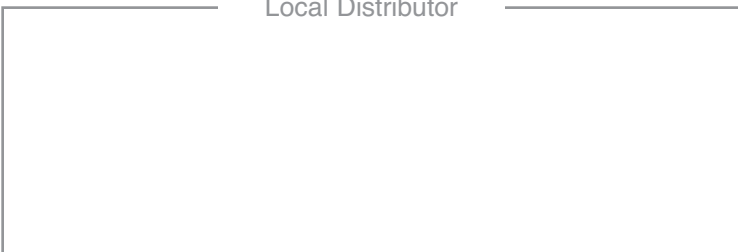


TIGER Model 3215E Specifications

Crane Rating:	11,000 ft/lbs
Lifting Capacity:	3200 lbs of lift
Maximum Reach:	15 ft from CL
Lift Height:	192"
Storage Height:	34"
Rotation:	400 degrees
Cable:	1/4" x 80" Galvanized
Weight:	745 lb (crane only)
Control:	20 ft Tether cord
Mounting Space:	14" x 14"
Battery Required:	700 Cold crank Amps with 200 minute reserve
GVW Required:	11,000 lbs



Local Distributor



Designed and Mfg in the USA by
Service Trucks International
 877 1ST AVE NW
 SIOUX CENTER IA 51250
 1-800-225-8789
 FAX: 712-722-3706
www.tigercranes.com