

Standard Features:

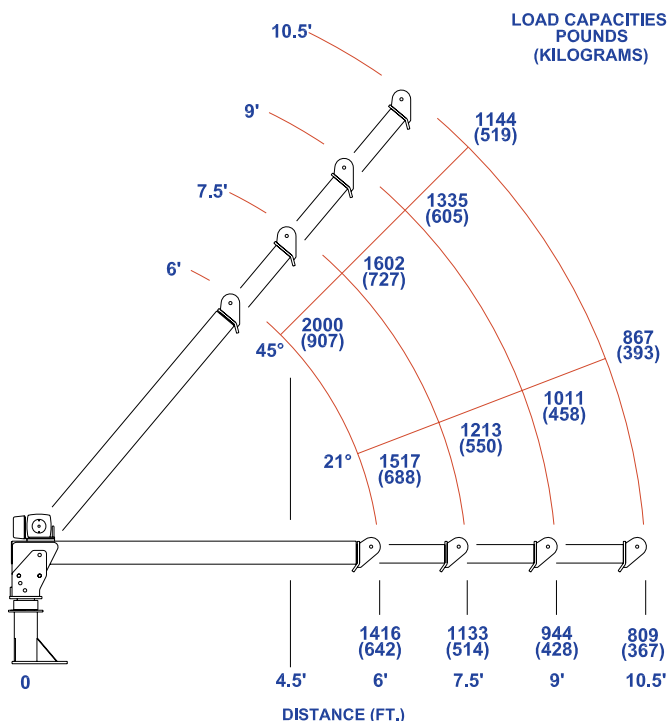
- 8,500 ft/lb Rating
- 2,000 lbs lift @ 4.5 Ft
- 10.5 ft of Reach w/ Manual Jib
- Full Function Detachable Remote

Light Duty

2
0
8
5



MODEL 2085



TIGER Model 2085 Specifications

Crane Rating	8,500ft/lbs
Maximum Reach	10.5' from CL
Extension	6', 7.5', 9', & 10.5' Manual Boom Extension
Maximum Height	10 ft from base of crane
Maximum Lift	2,000 lbs
Boom Elevation	0, 21 & 45 degrees
Cable	7/32" x 40' Winch Cable
Winch Type	12 VDC Winch 1.4 HP
Winch Speed	25 ft/min
Rotation	360 limited continuous
Control	Detachable Remote, 12' of Control Cable
Stowed Height	34"
Weight	350 lbs
Mounting Space	12" x 12"
Battery Req'd	500 Cold Crank Amps
	With 200 minute Reserve Minimum Requirement
Min GVW Req'd	8,500lbs