



cobra



**high
performance
service
crane**



*Structures are designed for
a normal working life of*

15
years



9506.3LH

Meets OSHA 1910.180 requirements
and ANSI B30.5 safety standards

Service Cranes



STANDARD FEATURES

- high strength hexagonal Swedish steel boom
- telescopic boom system, three fully hydraulic stages
- hydraulic planetary winch, high speed and efficiency
- hydraulic slewing system, unlimited, continuous rotation
- sheaves made in low friction, high strength, weather-proof polymer
- 115 ft. (35 mt.) of 15/32" (12 mm.) 26,500 lbs. (12.000 kg.) breaking strength cable, non twisting type
- travelling block, swivel hook with safety latch
- full safety control system, integrating load limiting device, anti-two block and stop-end cable system on drum
- fully digital proportional controls, enable fast, precise, smooth operation. Easy upgrading from wire to radio with minimal changes.
- digital processor, LED display, on water proof casing, IP 65 grade protection, providing self-diagnostics and quick settings
- one handheld, trigger type, control box both for wire and radio remote, incorporating emergency shut-off and start/stop truck engineswitch
- solenoid operated valves with emergency manual override
- painted COBRA WHITE (RAL 9003), fading resistant polyurethane enamel

Only on radio remote versions:

- magnet for control box leaning
- battery recharging cable 6 ft. (2 mt.) length with plug for in-cab cigarette lighter

ACCESSORIES

15 gallons (50 lt.) reservoir oil, with filter on return line (only PTO driven)
Kit supplementary radio remote for compressor and accelerator

Outriggers :

One side manual out, both legs hydraulic up/down
One side hydraulic out, both legs hydraulic up/down

9506.3LH

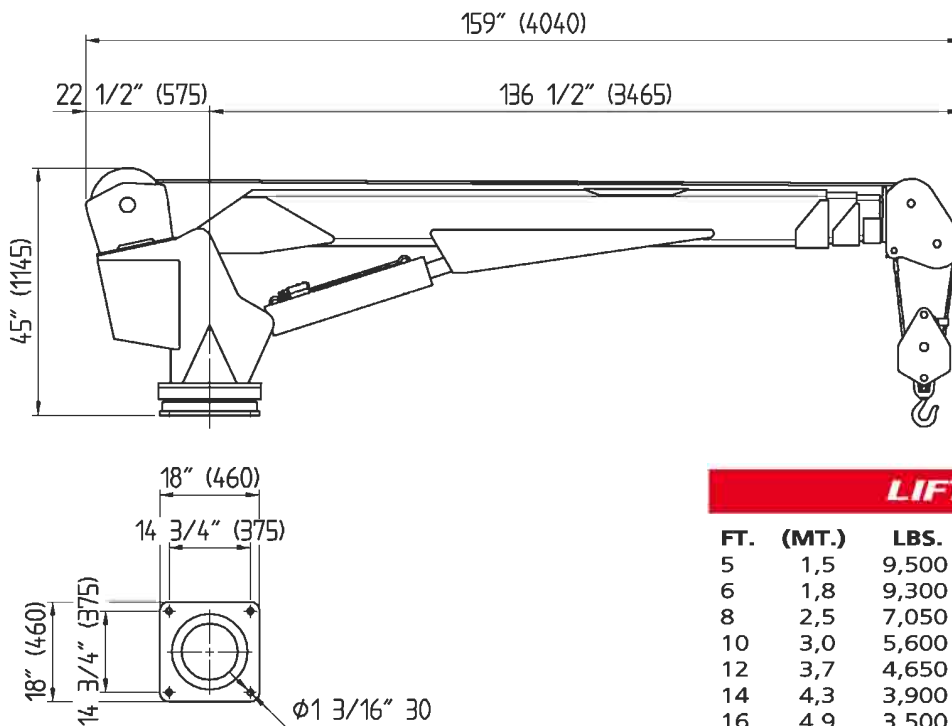
HYDRAULIC CRANE
56,000 FT.LBS.
(77 KNm.)



COBRA

TECHNICAL DATA

- Crane rating : 56,000 ft. lbs. (78 KNm.)
- Horizontal reach : 27' 3" (8,3 m.)
- Slewing angle : continuous unlimited
- Boom elevation angle : -10 to +75 degrees
- Winch capacity, single line : 5,290 lbs. (2.400 Kg.)
- Winch speed line : 40' fpm. (12 m./min.)
- Flow @ maximum pressure : 6 gpm. @ 2,700 psi. (23 l./min. @ 185 bar)
- Crane weight : 2,020 lbs. (920 Kg.)



LIFTING CAPACITIES

FT.	(MT.)	LBS.	(KG.)	FT.	(MT.)	LBS.	(KG.)
5	1,5	9,500	4.300	18	5,5	3,100	1.400
6	1,8	9,300	4.300	20	6,1	2,800	1.300
8	2,5	7,050	3.100	22	6,7	2,550	1.150
10	3,0	5,600	2.600	24	7,3	2,300	1.050
12	3,7	4,650	2.100	26	7,9	2,150	950
14	4,3	3,900	1.800	27'3"	8,4	1,950	900
16	4,9	3,500	1.600				

Next Hydraulics

Via Mediterraneo n.6 - 42022 BORETTO (RE) -ITALY
tel. +39.0522.963008 fax. +39.0522.963039



email: info@maxliftcrane.com
www.maxliftcrane.com