



**COBRA**

**high  
performance  
service  
crane**



*Structures are designed for  
a normal working life of*

**15**  
years



**5105E**

Meets OSHA 1910.180 requirements  
and ANSI B30.5 safety standards

**Service Cranes**



## STANDARD FEATURES

- high strength hexagonal Swedish steel boom
- telescopic boom system, two fully hydraulic stages
- hydraulic planetary winch, high speed and efficiency
- hydraulic slewing system, unlimited, continuous rotation
- sheaves made in low friction, high strength, weather-proof polymer
- 100 ft. (30 mt.) of 5/16" (8 mm.) 13,300 lbs. (6,050 kg.) breaking strength cable, non twisting type
- travelling block, swivel hook with safety latch
- full safety control system, integrating load limiting device, anti-two block and stop-end cable system on drum
- fully digital proportional controls, enable fast, precise, smooth operation. Easy upgrading from wire to radio with minimal changes.
- digital processor, LED display, on water proof casing, IP 65 grade protection, providing self-diagnostics and quick settings
- one handheld, trigger type, control box both for wire and radio remote, incorporating emergency shut-off and start/stop truck engineswitch
- column mounted, heavy duty DC power-pack, 12V-2.5 kW or 24V- 3.0 kW
- solenoid operated valves with emergency manual override
- painted COBRA WHITE (RAL 9003), fading resistant polyurethane enamel

### Only on radio remote versions:

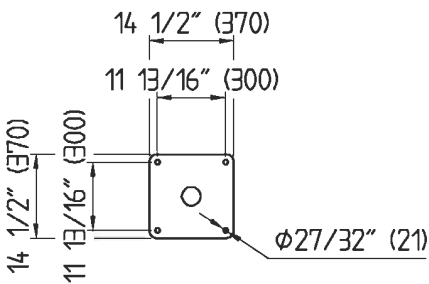
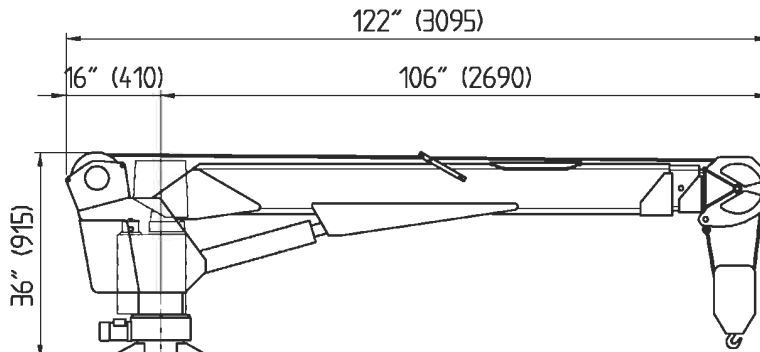
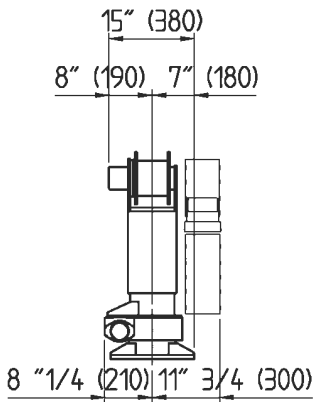
- magnet for control box leaning
- battery recharging cable 6 ft. (2 mt.) length with plug for in-cab cigarette lighter

## ACCESSORIES

Kit supplementary radio remote for compressor and accelerator

### Outriggers :

- One side manual out, both legs manual up/down
- One side manual out, both legs hydraulic up/down
- One side manual out, both legs manual up/down



# 5105E

**ELECTRO - HYDRAULIC CRANE**  
**25,000 FT.LBS.**  
**(35 KNm.)**



# cobra

## TECHNICAL DATA

- Crane rating : 25,000 ft. lbs. (35 KNm.)
- Horizontal reach : 18' 4" (5,7 m.)
- Slewing angle : continuous unlimited
- Boom elevation angle : -5 to +72 degrees
- Winch capacity, single line : 2,640 lbs. (1,200 Kg.)
- Winch speed line : 33' fpm. (10 m./min.)
- Flow @ maximum pressure : 3.2 gpm. @ 2,500 psi. (12 l./min. @ 175 bar)
- Crane weight : 1,000 lbs. (455 Kg.)

## LIFTING CAPACITIES

FT.	(MT.)	LBS.	(KG.)	FT.	(MT.)	LBS.	(KG.)
3	0,9	5,100	2.400	11	3,4	2,250	1.050
5	1,5	4,300	2.300	12	3,7	2,050	950
7	2,1	3,700	1.680	14	4,3	1,750	800
9	2,7	2,650	1.250	16	4,9	1,550	700
10	3,0	2,500	1.150	18' 4"	5,7	1,320	600

## Next Hydraulics

Via Mediterraneo n.6 - 42022 BORETTO (RE) -ITALY  
 tel. +39.0522.963008 fax. +39.0522.963039



email: [info@maxliftcrane.com](mailto:info@maxliftcrane.com)  
[www.maxliftcrane.com](http://www.maxliftcrane.com)