



cobra



***high
performance
service
crane***



*Structures are designed for
a normal working life of*

15
years



4400W

**Meets OSHA 1910.180 requirements
and ANSI B30.5 safety standards**

Service Cranes



STANDARD FEATURES

- high strength hexagonal Swedish steel boom
- telescopic boom system, one stage hydraulic and one manual
- hydraulic slewing system by worm gear, full 400° rotation
- sheaves made in low friction, high strength, weather-proof polymer
- travelling block, swivel hook with safety latch
- full safety control system, integrating load limiting device, anti-two block and stop-end cable system on drum
- electrical winch placed on proper bracket on the column, with possible simultaneous operation of another function by the same pendant control box
- 98 ft. (30 mt.) of 5/16" (8 mm.) 13,300 lbs. (6,050 kg.) breaking strength cable, non twisting type
- ON/OFF remote control with one handheld ergonomic and light control box with 26 ft. (8 mt.) cable
- possible interface with any commercial radio system
- digital processor control unit in waterproof case with quick connection, waterproof connectors placed in protected position under casing
- solenoid operated valves with emergency manual override
- column mounted, heavy duty DC power-pack, 12V-1.5 kW
- painted COBRA WHITE (RAL 9003), with epoxy priming and fading resistant polyurethane enamel

4400W

ELECTRO - HYDRAULIC CRANE
16,000 FT.LBS.
(22 KNm.)



cobra

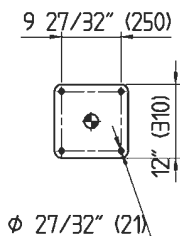
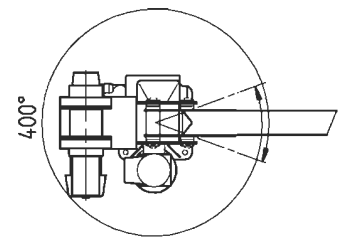
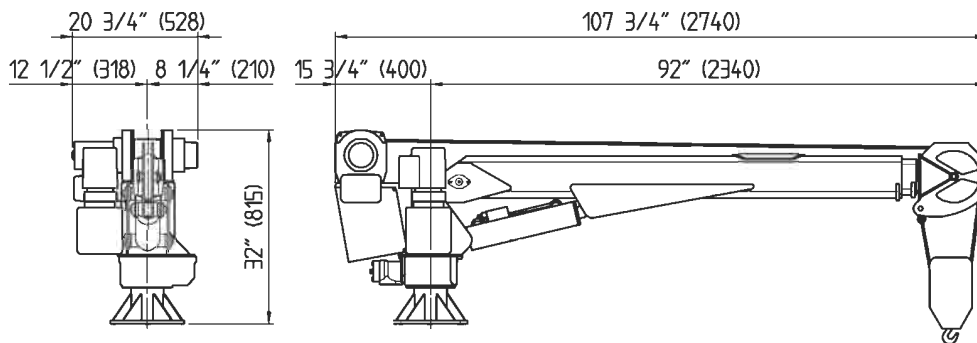
ACCESSORIES

Outriggers :

- One side manual out, both legs manual up/down
- One side manual out, both legs hydraulic up/down
- One side manual out, both legs manual up/down

TECHNICAL DATA

- Crane rating : 16,000 ft. lbs. 22 KNm.)
- Horizontal reach : 15'9" (4,8 m.)
- Slewing angle : continuous 400 degrees
- Boom elevation angle : -5 to +80 degrees
- Winch capacity, single line : 2,200 lbs. (1.000 Kg.)
- Winch speed line : 25' fpm. (7,5 m./min.)
- Flow @ maximum pressure : 1 gpm. @ 2,830 psi. (4 l./min. @ 195 bar)
- Crane weight : 720 lbs. (330 Kg.)



LIFTING CAPACITIES

FT.	(MT.)	LBS.	(KG.)	FT.	(MT.)	LBS.	(KG.)
2	0,6	4,400	2.000	10	3,0	1,600	700
3	0,9	4,400	2.000	11	3,4	1,450	620
4	1,2	4,000	1.800	12	3,7	1,300	550
5	1,5	3,100	1.430	14	4,3	1,150	500
7	2,1	2,150	1.050	15'9"	4,6	990	450
9	2,7	1,750	800				

Next Hydraulics

Via Mediterraneo n.6 - 42022 BORETTO (RE) -ITALY
 tel. +39.0522.963008 fax. +39.0522.963039



email: info@maxliftcrane.com
www.maxliftcrane.com