



# cobra



## **high performance service crane**



**Structures are designed for  
a normal working life of**

**15  
years**



# 4400H

Meets OSHA 1910.180 requirements  
and ANSI B30.5 safety standards

## Service Cranes



## STANDARD FEATURES

- high strength hexagonal Swedish steel boom
- telescopic boom system, one stage hydraulic and one manual
- hydraulic planetary winch, high speed and efficiency
- hydraulic slewing system, full 400° rotation
- sheaves made in low friction, high strength, weather-proof polymer
- 98 ft. (30 mt.) of 5/16" (8 mm.) 13,300 lbs. (6,050 kg.) breaking strength cable, non twisting type
- travelling block, swivel hook with safety latch
- full safety control system, integrating load limiting device, anti-two block and stop-end cable system on drum
- fully digital proportional controls, enable fast, precise, smooth operation. Easy upgrading from wire to radio with minimal changes.
- digital processor, LED display, on water proof casing, IP 65 grade protection, providing self-diagnostics and quick settings
- one handheld, trigger type, control box both for wire and radio remote, incorporating emergency shut-off and start/stop truck engineswitch
- solenoid operated valves with emergency manual override
- painted COBRA WHITE (RAL 9003), fading resistant polyurethane enamel

### Only on radio remote versions:

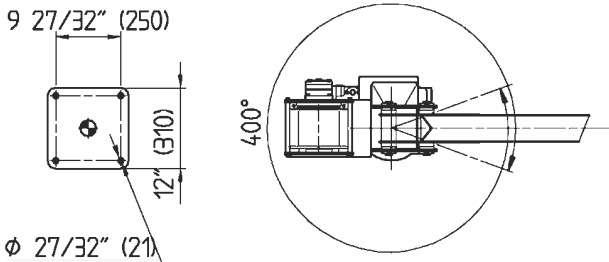
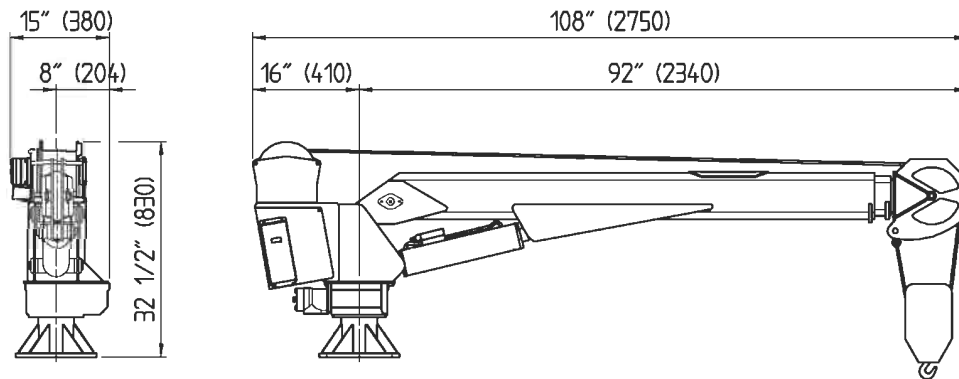
- magnet for control box leaning
- battery recharging cable 6 ft. (2 mt.) length with plug for in-cab cigarette lighter

## ACCESSORIES

8 gallons (30 lt.) reservoir oil, with filter on return line (only PTO driven)  
Kit supplementary radio remote for compressor and accelerator

### Outriggers :

One side manual out, both legs manual up/down  
One side manual out, both legs hydraulic up/down  
One side manual out, both legs manual up/down



# C 4400H

**HYDRAULIC CRANE**  
**16,000 FT.LBS.**  
**(22 KNm.)**



# cobra

## TECHNICAL DATA

- Crane rating : 16,000 ft. lbs. (22 KNm.)
- Horizontal reach : 15'9" (4,8 m.)
- Slewing angle : continuous 400 degrees
- Boom elevation angle : -5 to +80 degrees
- Winch capacity, single line : 2,200 lbs. (1,000 Kg.)
- Winch speed line : 40' fpm. (12 m./min.)
- Flow @ maximum pressure : 2.6 gpm. @ 2,830 psi. (10 l./min. @ 195 bar)
- Crane weight : 700 lbs. (320 Kg.)

## LIFTING CAPACITIES

FT.	(MT.)	LBS.	(KG.)	FT.	(MT.)	LBS.	(KG.)
2	0,6	4,400	2.000	10	3,0	1,600	700
3	0,9	4,400	2.000	11	3,4	1,450	620
4	1,2	4,000	1.800	12	3,7	1,300	550
5	1,5	3,100	1.430	14	4,3	1,150	500
7	2,1	2,150	1.050	15'9"	4,6	990	450
9	2,7	1,750	800				

## Next Hydraulics

Via Mediterraneo n.6 - 42022 BORETTO (RE) -ITALY  
tel. +39.0522.963008 fax. +39.0522.963039



email: info@maxliftcrane.com  
[www.maxliftcrane.com](http://www.maxliftcrane.com)