



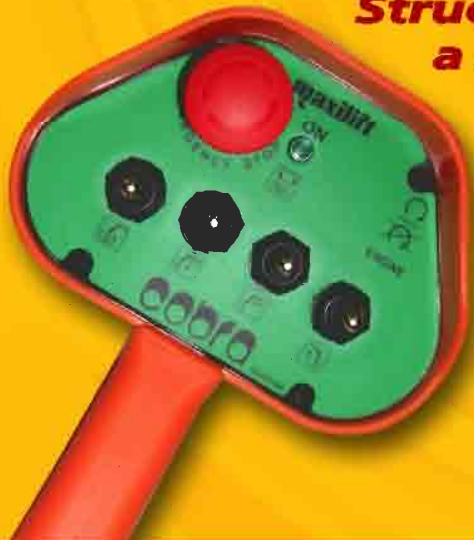
cobra



high performance service crane



*Structures are designed for
a normal working life of*



4400E

Meets OSHA 1910.180 requirements
and ANSI B30.5 safety standards

Service Cranes



STANDARD FEATURES

- ⦿ high strength hexagonal Swedish steel boom
- ⦿ telescopic boom system, one stage hydraulic and one manual
- ⦿ hydraulic planetary winch, high speed and efficiency
- ⦿ hydraulic slewing system, full 400° rotation
- ⦿ sheaves made in low friction, high strength, weather-proof polymer
- ⦿ 98 ft. (30 mt.) of 5/16" (8 mm.) 13,300 lbs. (6,050 kg.) breaking strength cable, non twisting type
- ⦿ travelling block, swivel hook with safety latch
- ⦿ full safety control system, integrating load limiting device, anti-two block and stop-end cable system on drum
- ⦿ fully digital proportional controls, enable fast, precise, smooth operation. Easy upgrading from wire to radio with minimal changes.
- ⦿ digital processor, LED display, on water proof casing, IP 65 grade protection, providing self-diagnostics and quick settings
- ⦿ one handheld, trigger type, control box both for wire and radio remote, incorporating emergency shut-off and start/stop truck engineswitch
- ⦿ solenoid operated valves with emergency manual override
- ⦿ painted COBRA WHITE (RAL 9003), fading resistant polyurethane enamel

Only on radio remote versions:

- ⦿ magnet for control box leaning
- ⦿ battery recharging cable 6 ft. (2 mt.) length with plug for in-cab cigarette lighter

C 4400E

ELECTRO - HYDRAULIC CRANE
16,000 FT.LBS.
(22 KNm.)



cobra

ACCESSORIES

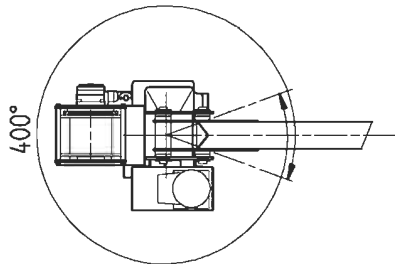
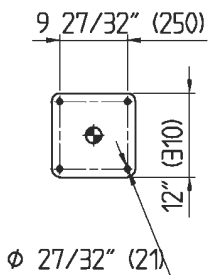
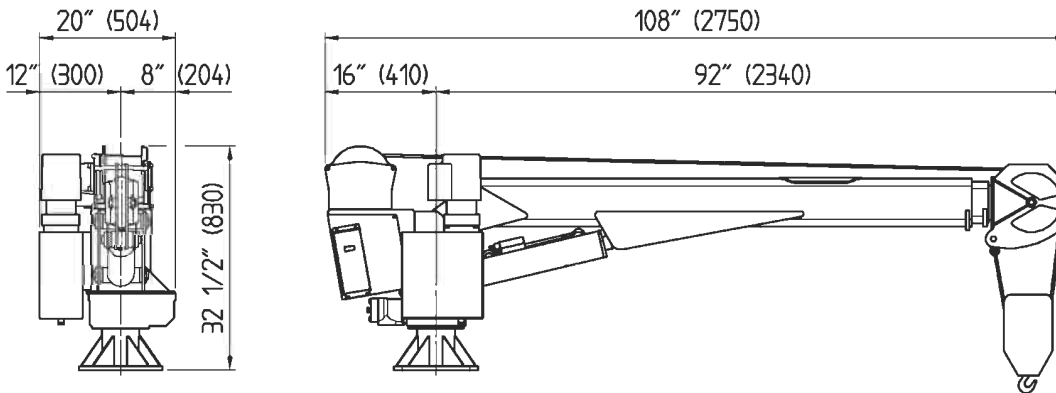
Kit supplementary radio remote for compressor and accelerator

Outriggers :

- One side manual out, both legs manual up/down
- One side manual out, both legs hydraulic up/down
- One side manual out, both legs manual up/down

TECHNICAL DATA

- ⦿ Crane rating : 16,000 ft.lbs. (22 KNm.)
- ⦿ Horizontal reach : 15'9" (4,8 m.)
- ⦿ Slewing angle : continuous 400 degrees
- ⦿ Boom elevation angle : -5 to +80 degrees
- ⦿ Winch capacity, single line : 2,200 lbs. (1,000 Kg.)
- ⦿ Winch speed line : 36' fpm. (11 m./min.)
- ⦿ Flow @ maximum pressure : 1.9 gpm. @ 2,850 psi. (7 l./min. @ 195 bar)
- ⦿ Crane weight : 720 lbs. (330 Kg.)



LIFTING CAPACITIES

FT.	(MT.)	LBS.	(KG.)	FT.	(MT.)	LBS.	(KG.)
2	0,6	4,400	2.000	10	3,0	1,600	700
3	0,9	4,400	2.000	11	3,4	1,450	620
4	1,2	4,000	1.800	12	3,7	1,300	550
5	1,5	3,100	1.430	14	4,3	1,150	500
7	2,1	2,150	1.050	15'9"	4,6	990	450
9	2,7	1,750	800				

Next Hydraulics

Via Mediterraneo n.6 - 42022 BORETTO (RE) -ITALY
 tel. +39.0522.963008 fax. +39.0522.963039



email: info@maxliftcrane.com
www.maxliftcrane.com