



cobra



***high
performance
service
crane***



*Structures are designed for
a normal working life of*

15
years



3300W

**Meets OSHA 1910.180 requirements
and ANSI B30.5 safety standards**

Service Cranes



STANDARD FEATURES

- high strength hexagonal Swedish steel boom
- telescopic boom system, one stage hydraulic and one manual
- protected extension cylinder placed inside the boom
- hydraulic slewing system by worm gear, full 400° rotation
- sheaves made in low friction, high strength, weather-proof polymer
- travelling block, swivel hook with safety latch
- full safety control system, integrating load limiting device, anti-two block and stop-end cable system on drum
- electrical winch placed on proper bracket on the column, with possible simultaneous operation of another function by the same pendant control box
- 82 ft. (25 mt.) of 1/4" (6 mm.) 8,000 lbs. (3,650 kg.) breaking strength cable, non twisting type
- ON/OFF remote control with one handheld ergonomic and light control box with 26 ft. (8 mt.) cable
- possible interface with any commercial radio system
- digital processor control unit in waterproof case with quick connection, waterproof connectors placed in protected position under casing
- solenoid operated valves with emergency manual override
- column mounted, heavy duty DC power-pack, 12V-1.5 kW
- painted COBRA WHITE (RAL 9003), with epoxy priming and fading resistant polyurethane enamel

3300W

ELECTRO - HYDRAULIC CRANE
11,500 FT.LBS.
(16 KNm.)



cobra

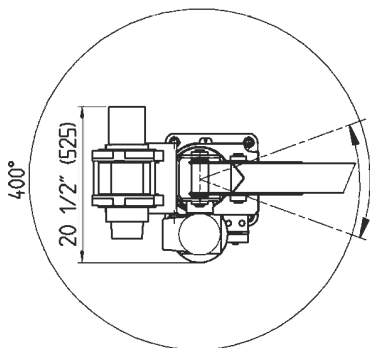
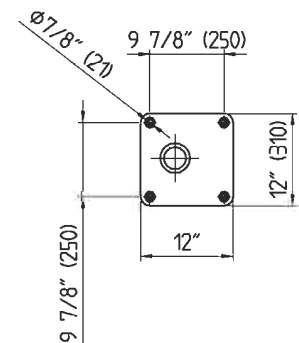
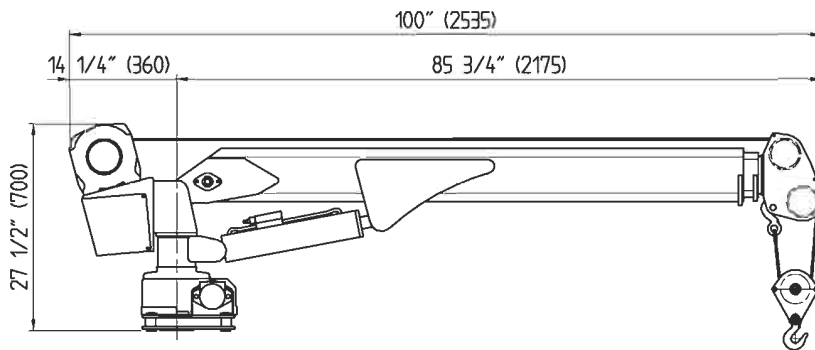
ACCESSORIES

Outriggers :

One side manual out, both legs manual up/down
 One side manual out, both legs hydraulic up/down

TECHNICAL DATA

- Crane rating : 11,500 ft. lbs. (16 KNm.)
- Horizontal reach : 15' (4,6 m.)
- Slewing angle : continuous 400 degrees
- Boom elevation angle : -5 to +80 degrees
- Winch capacity, single line : 1,600 lbs. (730 Kg.)
- Winch speed line : 20' fpm. (6 m./min.)
- Flow @ maximum pressure : 0.8 gpm. @ 2,300 psi. (3 l/min. @ 160 bar)
- Crane weight : 530 lbs. (240 Kg.)



LIFTING CAPACITIES

| FT. | (MT.) | LBS. | (KG.) | FT. | (MT.) | LBS. | (KG.) |
|-----|-------|-------|-------|-----|-------|-------|-------|
| 2 | 0,6 | 3,200 | 1.450 | 10 | 3,0 | 1,150 | 530 |
| 3 | 0,9 | 3,200 | 1.450 | 11 | 3,4 | 1,040 | 470 |
| 4 | 1,2 | 2,850 | 1.350 | 12 | 3,7 | 960 | 430 |
| 5 | 1,5 | 2,300 | 1.080 | 14 | 4,3 | 820 | 370 |
| 7 | 2,1 | 1,650 | 760 | 15 | 4,6 | 750 | 340 |
| 9 | 2,7 | 1,280 | 590 | | | | |

Next Hydraulics

Via Mediterraneo n.6 - 42022 BORETTO (RE) -ITALY
 tel. +39.0522.963008 fax. +39.0522.963039



email: info@maxliftcrane.com
www.maxliftcrane.com