



# cobra



**high  
performance  
service  
crane**



*Structures are designed for  
a normal working life of*



**© 12006.2LH**

Meets OSHA 1910.180 requirements  
and ANSI B30.5 safety standards

**Service Cranes**



## STANDARD FEATURES

- high strength hexagonal Swedish steel boom
- telescopic boom system, two fully hydraulic stages
- hydraulic planetary winch, high speed and efficiency
- hydraulic slewing system, unlimited, continuous rotation
- sheaves made in low friction, high strength, weather-proof polymer
- 115 ft. (35 mt.) of 15/32" (12 mm.) 26,500 lbs. (12.000 kg.) breaking strength cable, non twisting type
- travelling block, swivel hook with safety latch
- full safety control system, integrating load limiting device, anti-two block and stop-end cable system on drum
- fully digital proportional controls, enable fast, precise, smooth operation. Easy upgrading from wire to radio with minimal changes.
- digital processor, LED display, on water proof casing, IP 65 grade protection, providing self-diagnostics and quick settings
- one handheld, trigger type, control box both for wire and radio remote, incorporating emergency shut-off and start/stop truck engineswitch
- solenoid operated valves with emergency manual override
- painted COBRA WHITE (RAL 9003), fading resistant polyurethane enamel

### Only on radio remote versions:

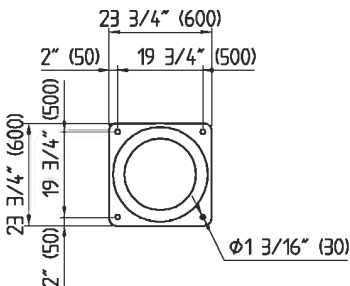
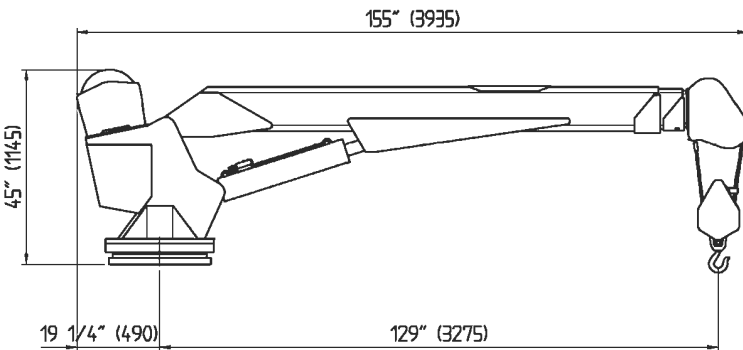
- magnet for control box leaning
- battery recharging cable 6 ft. (2 mt.) length with plug for in-cab cigarette lighter

## ACCESSORIES

15 gallons (50 lt.) reservoir oil, with filter on return line (only PTO driven)  
Kit supplementary radio remote for compressor and accelerator

## Outriggers :

One side manual out, both legs hydraulic up/down  
One side hydraulic out, both legs hydraulic up/down



# C 12006.2LH

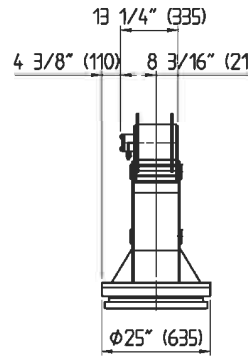
**HYDRAULIC CRANE**  
**67,000 FT.LBS.**  
**(92 KNm.)**



# cobra

## TECHNICAL DATA

- Crane rating : 67,000 ft. lbs. (92 KNm.)
- Horizontal reach : 22' (6,7 m.)
- Slewing angle : continuous unlimited
- Boom elevation angle : -10 to +75 degrees
- Winch capacity, single line : 5,950 lbs. (2.700 Kg.)
- Winch speed line : 40' fpm. (12 m./min.)
- Flow @ maximum pressure : 7 gpm. @ 3,000 psi. (26 l./min. @ 210 bar)
- Crane weight : 2,100 lbs. (950 Kg.)



## LIFTING CAPACITIES

FT.	(MT.)	LBS.	(KG.)	FT.	(MT.)	LBS.	(KG.)
5	1,5	11,900	5.400	14	4,3	4,750	2.100
6	1,8	9,450	4.300	16	4,9	4,150	1.850
8	2,5	8,350	3.650	18	5,5	3,700	1.650
10	3,0	6,700	3.000	20	6,1	3,350	1.500
12	3,7	5,550	2.450	22	6,7	2,950	1.350

## Next Hydraulics

Via Mediterraneo n.6 - 42022 BORETTO (RE) -ITALY  
tel. +39.0522.963008 fax. +39.0522.963039



email: [info@maxliftcrane.com](mailto:info@maxliftcrane.com)  
[www.maxliftcrane.com](http://www.maxliftcrane.com)